

# Local DNS Attack Lab

Copyright © 2006 - 2015 Wenliang Du, Syracuse University.

The development of this document is partially funded by the National Science Foundation's Course, Curriculum, and Laboratory Improvement (CCLI) program under Award No. 0618680 and 0231122. Permission is granted to copy, distribute and/or modify this document under the terms of the GNU Free Documentation License, Version 1.2 or any later version published by the Free Software Foundation. A copy of the license can be found at <http://www.gnu.org/licenses/fdl.html>.

## 1 Lab Overview

DNS [1] (Domain Name System) is the Internet's phone book; it translates hostnames to IP addresses (or IP addresses to hostnames). This translation is through DNS resolution, which happens behind the scene. DNS Pharming [4] attacks manipulate this resolution process in various ways, with an intent to misdirect users to alternative destinations, which are often malicious. The objective of this lab is to understand how such attacks work. Students will first set up and configure a DNS server [2], and then they will try various DNS Pharming attacks on the target that is also within the lab environment.

The difficulties of attacking local victims versus remote DNS servers are quite different. Therefore, we have developed two labs, one focusing on local DNS attacks, and the other on remote DNS attack. This lab focuses on local attacks.

## 2 Lab Environment

We need to set up the lab environment like what is shown in Figure 1. To simplify the lab environment, we let the user's computer, DNS server, and attacker's computer be on one physical machine, but using different virtual machines. The website used in this lab can be any website. Our configuration is based on Ubuntu, which is the operating system we use in our pre-built virtual machine.

As you can see from Figure 1, we set up the DNS server, the user machine and the attacker machine in the same LAN. We assume that the user machine's IP address is 192.168.0.100, the DNS Server's IP is 192.168.0.10 and the attacker machine's IP is 192.168.0.200.

**Note for Instructors:** For this lab, a lab session is desirable, especially if students are not familiar with the tools and the environments. If an instructor plans to hold a lab session (by himself/herself or by a TA), it is suggested the following to be covered in the lab session <sup>1</sup>:

1. The use of the virtual machine software.
2. The use of Wireshark, Netwag, and Netwox tools.
3. Configuring the DNS server.

### 2.1 Install and configure the DNS server

**Step 1: Install the DNS server.** On 192.168.0.10, We install the BIND9 [3] DNS server using the following command:

---

<sup>1</sup>We assume that the instructor has already covered the concepts of the attacks in the lecture, so we do not include them in the lab session.

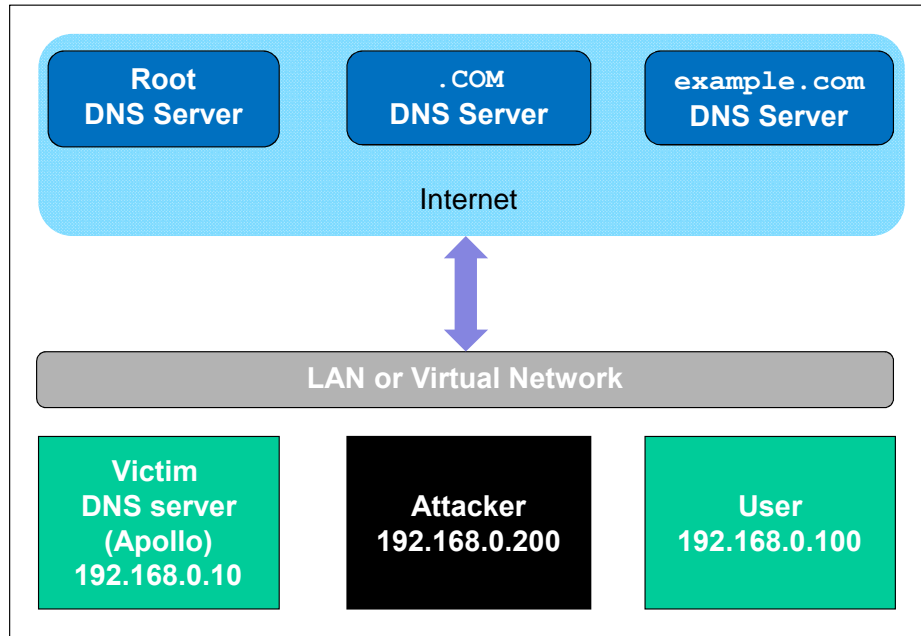


Figure 1: The Lab Environment Setup

```
# sudo apt-get install bind9
```

The BIND9 Server is already installed in our pre-built Ubuntu virtual machine image.

**Step 2: Create the `named.conf.options` file.** The DNS server needs to read the `/etc/bind/named.conf` configuration file to start. This configuration file usually includes an option file called `/etc/bind/named.conf.options`. Please add the following content to the option file:

```
options {
    dump-file      "/var/cache/bind/dump.db";
};
```

It should be noted that the file `/var/cache/bind/dump.db` is used to dump DNS server's cache.

**Step 3: Create zones.** Assume that we own a domain: `example.com`, which means that we are responsible for providing the definitive answer regarding `example.com`. Thus, we need to create a zone in the DNS server by adding the following contents to `/etc/bind/named.conf`. It should be noted that the `example.com` domain name is reserved for use in documentation, and is not owned by anybody, so it is safe to use it.

```
zone "example.com" {
    type master;
    file "/var/cache/bind/example.com.db";
};

zone "0.168.192.in-addr.arpa" {
    type master;
```

```
file "/var/cache/bind/192.168.0";
};
```

Note that we use `192.168.0.x` as an example. If you use different IP addresses, you need to change `/etc/bind/named.conf` and the DNS lookup files (stated below) accordingly.

**Step 4: Setup zone files.** The file name after the `file` keyword in the above zones is called the zone file. The actual DNS resolution is put in the zone file. In the `/var/cache/bind/` directory, compose the following `example.com.db` zone file (Note that the configuration files stated in the following can be downloaded from the web page of this lab; typing in these files might introduce errors. If you are interested in the syntax of these configuration files, please refer to RFC 1035 for details):

```
$TTL 3D
@      IN      SOA      ns.example.com. admin.example.com. (
      2008111001      ;serial, today's date + today's serial number
      8H              ;refresh, seconds
      2H              ;retry, seconds
      4W              ;expire, seconds
      1D)             ;minimum, seconds

@      IN      NS       ns.example.com. ;Address of name server
@      IN      MX       10 mail.example.com. ;Primary Mail Exchanger

www    IN      A        192.168.0.101 ;Address of www.example.com
mail   IN      A        192.168.0.102 ;Address of mail.example.com
ns     IN      A        192.168.0.10 ;Address of ns.example.com
*.example.com. IN A    192.168.0.100 ;Address for other URL in
                                ;example.com. domain
```

The symbol '@' is a special notation meaning the origin from the `named.conf`. Therefore, '@' here stands for `example.com`. 'IN' means Internet. 'SOA' is short for Start Of Authority. This zone file contains 7 resource records (RRs): a SOA (Start Of Authority) RR, a NS (Name Server) RR, a MX (Mail eXchanger) RR, and 4 A (host Address) RRs.

We also need to setup the DNS reverse lookup file. In the directory `/var/cache/bind/`, compose a reverse DNS lookup file called `192.168.0` for `example.com` domain:

```
$TTL 3D
@      IN      SOA      ns.example.com. admin.example.com. (
      2008111001
      8H
      2H
      4W
      1D)

@      IN      NS       ns.example.com.

101    IN      PTR      www.example.com.
102    IN      PTR      mail.example.com.
10     IN      PTR      ns.example.com.
```

**Step 5: Start a DNS server.** Now we are ready to start the DNS server. Run the following command:

```
% sudo /etc/init.d/bind9 restart
or
% sudo service bind9 restart
```

## 2.2 Configure the User Machine

On the user machine 192.168.0.100, we need to let the machine 192.168.0.10 be the default DNS server. We achieve this by changing the DNS setting file `/etc/resolv.conf` of the user machine:

```
nameserver 192.168.0.10 # the ip of the DNS server you just setup
```

Note: make sure this is the only nameserver entry in your `/etc/resolv.conf`. Also note that, in Ubuntu, `/etc/resolv.conf` may be overwritten by the DHCP client. To avoid this, we should tell the DHCP client to not to set the DNS server automatically. This can be achieved using the following procedure (for Ubuntu 12.04):

1. Go to "System Settings", and click the "Network" icon.
2. Choose the "Wired" tab, and click the "Options" button. A dialog will pop up.
3. Click the "IPv4 Settings" tab, in the "Method" entry, choose "Automatic (DHCP) Addresses Only". Then type the IP address of the local DNS server in the "DNS servers" entry. You do not need to type anything in the other two fields. Basically, we tell the DHCP client to put our typed address in `/etc/resolv.conf`.
4. Finally, click the network icon on the top right corner of the desktop, and Select "Wired connection 1". This will refresh the wired network connection and updates the changes. It should be noted that "Wired connection 1" is the name you choose for your connection, and you may have chosen a different name.

## 2.3 Configure the Attacker Machine

On the attacker machine, there is not much to configure.

## 2.4 Expected Output

After you have set up the lab environment according to the above steps, your DNS server is ready to go. Now, on the user machine, issue the following command:

```
% dig www.example.com
```

You should be able to see something like this:

```
<<>> DiG 9.5.0b2 <<>> www.example.com
;; global options: printcmd
;; Got answer:
;; ->>HEADER<<- opcode: QUERY, status: NOERROR, id: 27136
;; flags: qr aa rd ra; QUERY: 1, ANSWER: 1, AUTHORITY: 1, ADDITIONAL: 1
```

```
;; QUESTION SECTION:
;www.example.com. IN A

;; ANSWER SECTION:
www.example.com. 259200 IN A 192.168.0.101

;; AUTHORITY SECTION:
example.com. 259200 IN NS ns.example.com.

;; ADDITIONAL SECTION:
ns.example.com. 259200 IN A 192.168.0.10

;; Query time: 80 msec
;; SERVER: 192.168.0.10#53(192.168.0.10)
;; WHEN: Tue Nov 11 15:26:32 2008
;; MSG SIZE rcvd: 82
```

**Note:** the ANSWER SECTION contains the DNS mapping. You can notice that the IP address of `www.example.com` is now `192.169.0.101`, which is what we have set up in the DNS server. For a simple and clear answer, we can use `nslookup` instead. To do a DNS reverse lookup, issue `dig -x N.N.N.N`.

## 2.5 Install Wireshark

Wireshark is a very important tool for this lab; you can sniff every package that is going through the LAN. You can get Wireshark from <http://www.wireshark.org>. Although Netwox also comes with a sniffer, Wireshark is a much better sniffer. Wireshark is already installed in our pre-built virtual machine.

## 3 Lab Tasks

The main objective of Pharming attacks on a user is to redirect the user to another machine *B* when the user tries to get to machine *A* using *A*'s host name. For example, when the user tries to access the online banking, such as `www.chase.com`, if the adversaries can redirect the user to a malicious web site that looks very much like the main web site of `www.chase.com`, the user might be fooled and give away password of his/her online banking account.

When a user types in `www.chase.com` in his browsers, the user's machine will issue a DNS query to find out the IP address of this web site. Attackers' goal is to fool the user's machine with a faked DNS reply, which resolves `www.chase.com` to a malicious IP address. There are several ways to achieve such an attack. In the rest of the lab description, we will use `www.example.com` as the web site that the user wants to access, instead of using the real web site name `www.chase.com`; the `example.com` domain name is reserved for use in documentation, and is not owned by anybody.

### 3.1 Task 1: Attackers have already compromised the victim's machine

**Modifying HOSTS file.** The host name and IP address pairs in the HOSTS file (`/etc/hosts`) are used for local lookup; they take the preference over remote DNS lookups. For example, if there is a following

entry in the HOSTS file in the user's computer, the `www.example.com` will be resolved as `1.2.3.4` in user's computer without asking any DNS server:

```
1.2.3.4          www.example.com
```

**Attacks.** If attackers have compromised a user's machine, they can modify the HOSTS file to redirect the user to a malicious site whenever the user tries to access `www.example.com`. Assume that you have already compromised a machine, please try this technique to redirect `www.example.com` to any IP address that you choose.

Note: `/etc/hosts` is ignored by the `nslookup` command, but will take effect on ping command and web browser etc.

### 3.2 Task 2: Directly Spoof Response to User

In this attack, the victim's machine has not been compromised, so attackers cannot directly change the DNS query process on the victim's machine. However, if attackers are on the same local area network as the victim, they can still achieve a great damage. Shown as Figure 2.

When a user types the name of a web site (a host name, such as `www.example.com`) in a web browser, the user's computer will issue a DNS request to the DNS server to resolve the IP address of the host name. After hearing this DNS request, the attackers can spoof a fake DNS response [6]. The fake DNS response will be accepted by the user's computer if it meets the following criteria:

1. The source IP address must match the IP address of the DNS server.
2. The destination IP address must match the IP address of the user's machine.
3. The source port number (UDP port) must match the port number that the DNS request was sent to (usually port 53).
4. The destination port number must match the port number that the DNS request was sent from.
5. The UDP checksum must be correctly calculated.
6. The transaction ID must match the transaction ID in the DNS request.
7. The domain name in the question section of the reply must match the domain name in the question section of the request.
8. The domain name in the answer section must match the domain name in the question section of the DNS request.
9. The User's computer must receive the attacker's DNS reply before it receives the legitimate DNS response.

To satisfy the criteria 1 to 8, the attackers can sniff the DNS request message sent by the victim; they can then create a fake DNS response, and send back to the victim, before the real DNS server does. `Netwox` tool 105 provide a utility to conduct such sniffing and responding.

Tip: in the `Netwox/Netwag` tool 105, you can use the "filter" field to indicate the IP address of your target. For example, in the scenario showing below, you can use "`src host 192.168.0.100`".

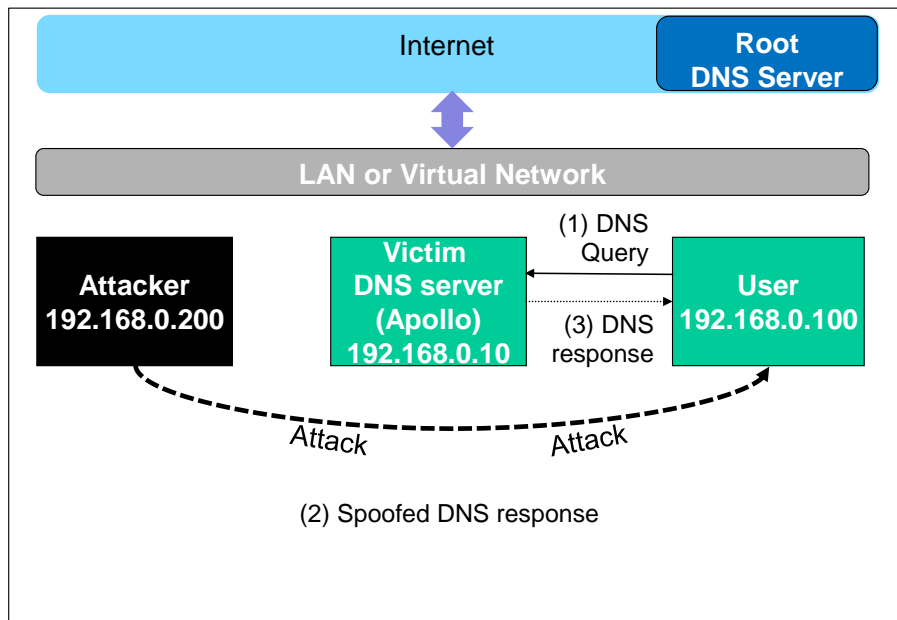


Figure 2: Directly Spoof response to user flow

### 3.3 Task 3: DNS Server Cache Poisoning

The above attack targets the user's machine. In order to achieve long-lasting effect, every time the user's machine sends out a DNS query for `www.example.com`, the attacker's machine must send out a spoofed DNS response. This might not be so efficient; there is a much better way to conduct attacks by targeting the DNS server, instead of the user's machine.

When a DNS server *Apollo* receives a query, if the host name is not within the *Apollo*'s domain, it will ask other DNS servers to get the host name resolved. Note that in our lab setup, the domain of our DNS server is `example.com`; therefore, for the DNS queries of other domains (e.g. `www.google.com`), the DNS server *Apollo* will ask other DNS servers. However, before *Apollo* asks other DNS servers, it first looks for the answer from its own cache; if the answer is there, the DNS server *Apollo* will simply reply with the information from its cache. If the answer is not in the cache, the DNS server will try to get the answer from other DNS servers. When *Apollo* gets the answer, it will store the answer in the cache, so next time, there is no need to ask other DNS servers.

Therefore, if attackers can spoof the response from other DNS servers, *Apollo* will keep the spoofed response in its cache [5] for certain period of time. Next time, when a user's machine wants to resolve the same host name, *Apollo* will use the spoofed response in the cache to reply. This way, attackers only need to spoof once, and the impact will last until the cached information expires. This attack is called *DNS cache poisoning*. The following diagram (Figure 3) illustrates this attack.

We can use the same tool (Netwox 105) for this attack. Before attacking, make sure that the DNS Server's cache is empty. You can flush the cache using the following command:

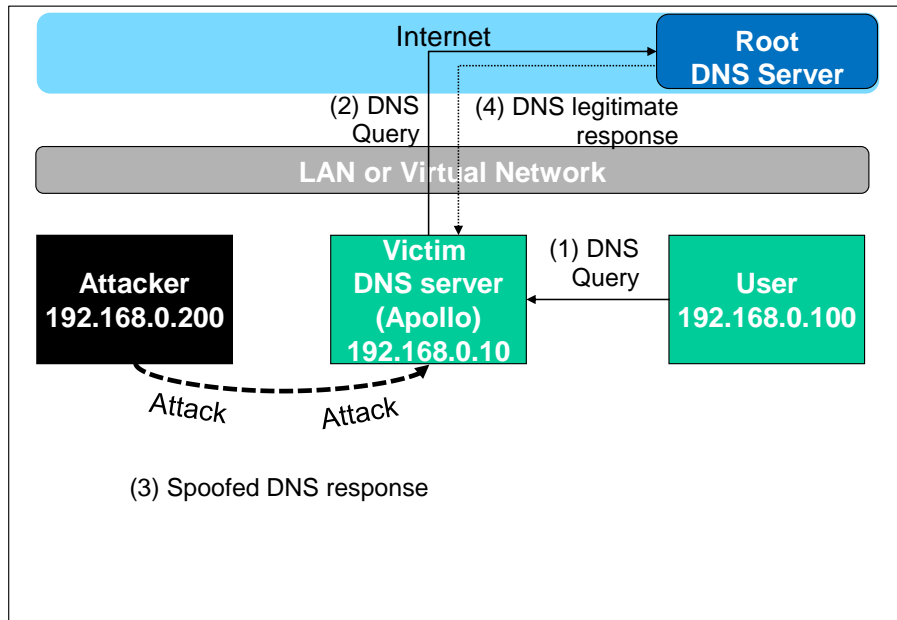


Figure 3: DNS cache poisoning flow

```
# sudo rndc flush
```

The difference between this attack and the previous attack is that we are spoofing the response to DNS server now, so we set the `filter` field to `'src host 192.168.0.10'`, which is the IP address of the DNS server. We also use the `tll` field (time-to-live) to indicate how long we want the fake answer to stay in the DNS server's cache. After the DNS server is poisoned, we can stop the `Netwox 105`. If we set `tll` to 600 (seconds), then DNS server will keep giving out the fake answer for the next 10 minutes.

Note: Please select the `raw` in the `spoofip` field; otherwise, `Netwox 105` will try to also spoof the MAC address for the spoofed IP. To get the MAC address, the tool sends out an ARP request, asking for the MAC address of the spoofed IP. This spoofed IP address is usually a root DNS server (this is usually the first place that a DNS server will ask if it cannot resolve a name), and obviously the root DNS server is not on the same LAN. Therefore, nobody will reply the ARP request. The tool will wait for the ARP reply for a while before going ahead without the MAC address.

The waiting will delay the tool from sending out the spoofed response. If the actual DNS response comes earlier than the spoofed response, the attack will fail. That's why you need to ask the tool not to spoof the MAC address.

You can tell whether the DNS server is poisoned or not by using the network traffic captured by Wireshark or by dumping the DNS server's cache. To dump and view the DNS server's cache, issue the following command:

```
# sudo rndc dumpdb -cache
# sudo cat /var/cache/bind/dump.db
```



## 4 What's Next

In the DNS cache poisoning attack of this lab, we assume that the attacker and the DNS server are on the same LAN, i.e., the attacker can observe the DNS query message. When the attacker and the DNS server are not on the same LAN, the cache poisoning attack becomes much more challenging. If you are interested in taking on such a challenge, you can try our “Remote DNS Attack Lab”.

## 5 Submission

Students need to submit a detailed lab report to describe what they have done and what they have observed. Report should include the evidences to support the observations. Evidences include packet traces, screen-dumps, etc.

## References

- [1] RFC 1035 Domain Names - Implementation and Specification : <http://www.rfc-base.org/rfc-1035.html>
- [2] DNS HOWTO : <http://www.tldp.org/HOWTO/DNS-HOWTO.html>
- [3] BIND 9 Administrator ReferenceManual : <http://www.bind9.net/manual/bind/9.3.2/Bv9ARM.ch01.html>
- [4] Pharming Guide : <http://www.technicalinfo.net/papers/Pharming.html>
- [5] DNS Cache Poisoning: [http://www.secureworks.com/resources/articles/other\\_articles/dns-cache-poisoning/](http://www.secureworks.com/resources/articles/other_articles/dns-cache-poisoning/)
- [6] DNS Client Spoof: [http://evan.stasis.org/odds/dns-client\\_spoofing.txt](http://evan.stasis.org/odds/dns-client_spoofing.txt)